

Architect: Gruet
Photo: P. Richard

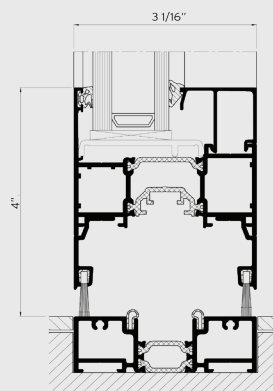


CONCEPT FOLDING 77

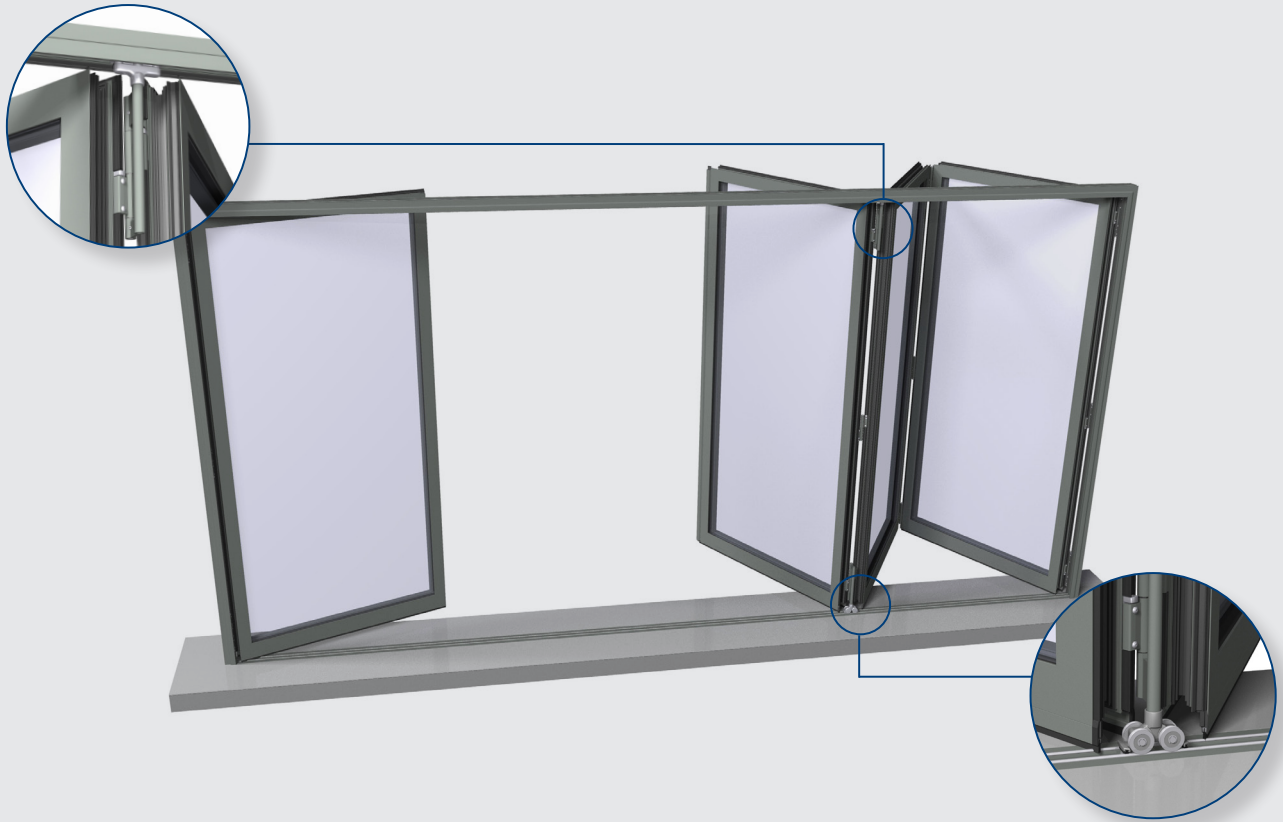
Invite nature into your building



Reynaers
Aluminium



People are continuously looking for ways to maximize their space, visually as well as physically. The Concept Folding® 77 offers them the opportunity to optimize the utilization of their rooms, drawing the external environment into their homes. Next to the improved space utilization, this innovative system offers the advantage of an abundance of daylight coming in, as well as an aesthetical design. Another practical feature of CF 77 is the optional door locking principle which allows the first leaf to be used as an entrance door without affecting the folding capacity of the system.



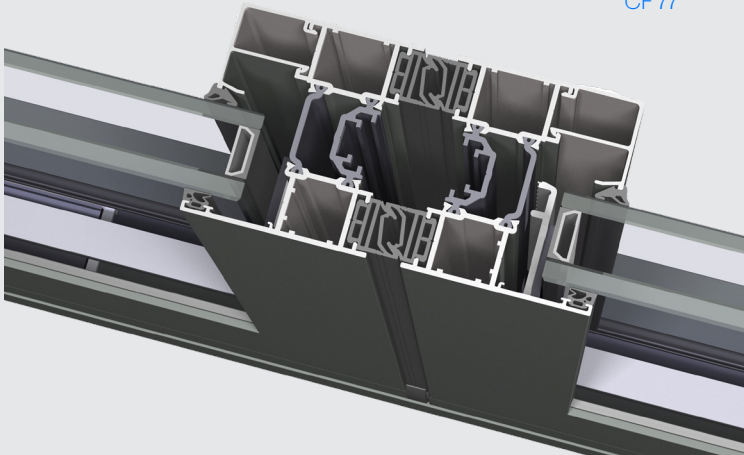
DESIGN VARIANTS

Next to the functional design, the CF 77 is supplemented with a Slim-Line variant, the CF 77-SL, featuring a narrower visible width. Both designs are available in four different door sill solutions:

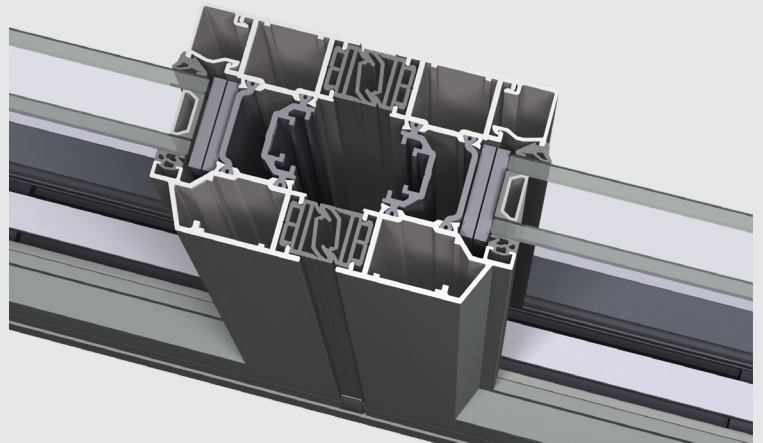
High Performance, Double Weather Seal, Low Threshold, and Flat Bottom Solution.

The **High Performance** option offers maximum performance in terms of air, wind, and water resistance. The **Double Weather Seal** solution combines good air, wind, and water resistance with a decreased threshold and is well suited for renovation projects. The **Low Threshold** option offers a rise of only 3/4 inches. Finally, the **Flat Bottom** solution allows for easy passage and maximum convenience for high traffic.

CF 77



CF 77-SL



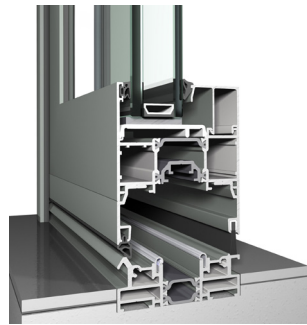


Architect: Laura Brousseau & Laurent Faimte
Fabricator: Serruere Luccanville

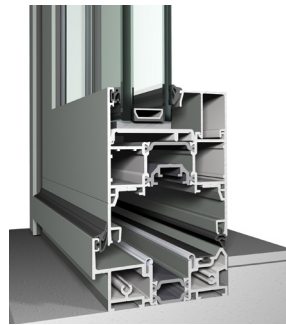
4 DIFFERENT THRESHOLD SOLUTIONS MEETING FUNCTIONAL NEEDS AND PERFORMANCE LEVELS:



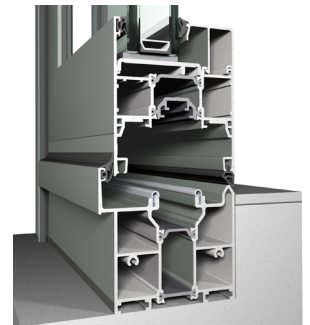
Flat Bottom



Low Threshold








Double Weather Seal



High Performance

TECHNICAL CHARACTERISTICS	
Max. height vent	118 1/8"
Max. width vent	47 1/4"
Overall system depth frame	3 1/16"
Overall system depth vent	3 1/16"
Rebate height	1"
Min. glass thickness	1/4"
Max. glass thickness	2 1/2"
Max. frame height	120"
Thermal break	Fibreglass reinforced polyamide strips

NAFS Testing based on 4-panel: 157 1/2" x 106 5/16" and high performance threshold

PERFORMANCE SPECIFICATIONS			FUNCTIONAL FRAME		SLIMLINE FRAME		
ENERGY							
	Thermal Insulation ⁽²⁾ (Btu/hr-ft ² -°F) per NFRC 102	Open in	Uw	Double	Triple	Double	Triple
			SHGC	0.35	0.26	0.34	0.28
		Open out	Uw	0.16	0.14	0.16	0.14
			SHGC	0.36	0.29	0.34	0.28
COMFORT							
	Acoustic performance ASTM E90-09/1332	STC	45				
		OITC	38				
	Air tightness, max. test pressure (cfm/ft ²)	0.1					
	Water tightness, with large threshold (psf)	8					
	AAMA Rating AAMA/WDMA/CSA 101/1.S.2/A440, NAFS	SP PG55					

This table shows classes and values of performances, which can be achieved for specific configurations and opening types.

- (1) All results based on High Performance threshold gateway sizes; vary depending on glass/profile combos | Above Uw & SHGC values don't necessarily work in combination.
- (2) Uw is the measure of heat transfer through the fenestration product with glass. The lower the Uw, the better the thermal insulation of the element.
- (3) The sound reduction index measures the capacity of the sound reduction performance of the frame and glass.
- (4) The air tightness test measures the volume of air that would pass through a closed window at a certain air pressure.
- (5) The water tightness testing involves applying a specified air pressure differential while simultaneously spraying water on to the exterior face of the assembly at the rate of 5 gal/hr/ft².

REYNAERS ALUMINIUM • t. +1 480 272 9688

www.reynaers.us • info@reynaers.us

06/2020 – 00.CP130.00 – Publisher Responsible at Law: D. Willems, 21430 N
15th Lane, Suite 100 | Phoenix, AZ 85027 | USA

R

Reynaers
Aluminium

TOGETHER FOR BETTER



AIA
Continuing
Education
Provider



Architect: Chad Overway
Photo: Benezé